

Semi-Split Shaft Collars

Stainless Steel, with Extension-Tapped Holes

SPECIFICATION

Types

- Type **A**: Extension-tapped holes, radial
- Type **B**: Extension-tapped holes, axial

Stainless steel AISI 316LHC **NI**
Sintered

Socket cap screw DIN 912
Stainless steel AISI 304

INFORMATION

With extension-tapped holes of the semi-split shaft collars GN 7062.1, sensor holders GN 7062.10 (see page) or other elements such as the gear lever or cam can be attached to shafts and axles. They can be assembled safely and easily with a high clamping force by reducing the slot height, without damaging the surface of shafts and axles.

The thread d_3 for sizes $d_1 = 30$ to 36 is designed as a through hole; for sizes $d_1 = 42$ and larger, it is designed as blind hole.

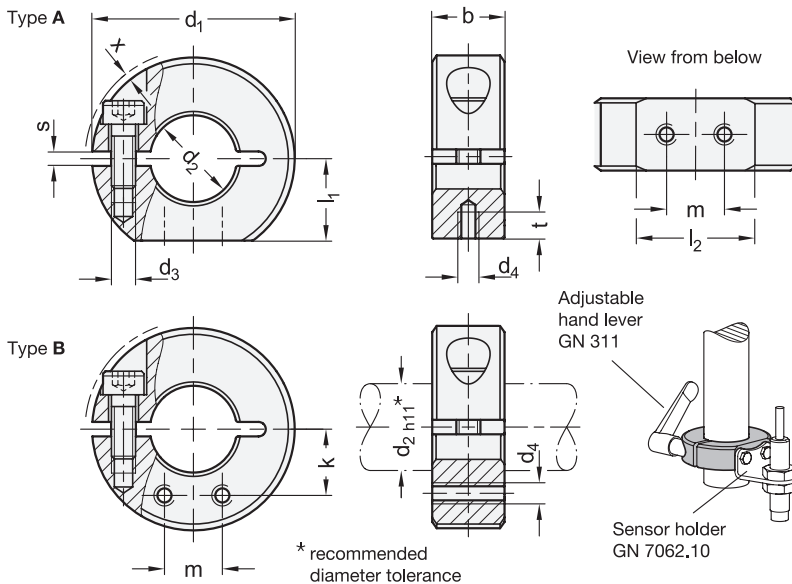
- List of Shaft Collar Types (see page)

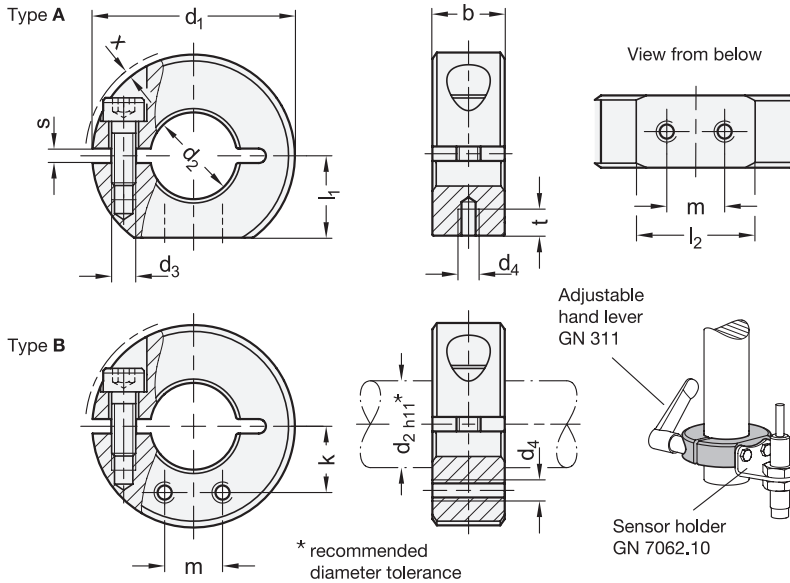
ACCESSORY

- Adjustable Hand Levers GN 311 (see page)
- Damping Washers GN 7062.30 (see page)
- Sensor Holders GN 7062.10 (see page)

TECHNICAL INFORMATION

- ISO-Fundamental Tolerances (see page A21)
- Stainless Steel Characteristics (see page A26)





GN 7062.1

STAINLESS STEEL

Description	d1	d2 H10 Bore series	b ±0.2	d3	d4	l1	l2	m	k Bore series	s	t	x ≈ max. protrusion of cap screw	Adjustable hand lever for d3	⚖
GN 7062.1-30-B12-NI-A	30	B 12	11	M 4	M 3	13	15	8	-	2.1	4	0.7	GN 311-30-M4-12-SW	38
GN 7062.1-32-B14-NI-A	32	B 14	11	M 4	M 3	14	15.5	8	-	2.1	4	0.7	GN 311-30-M4-12-SW	42
GN 7062.1-36-B15-NI-A	36	B 15	13	M 5	M 4	15	19.9	10	-	2.1	5.5	1.4	GN 311-30-M5-13-SW	67
GN 7062.1-36-B16-NI-A	36	B 16	13	M 5	M 4	15	19.9	10	-	2.1	5.5	1.4	GN 311-30-M5-13-SW	61
GN 7062.1-42-B18-NI-A	42	B 18	15	M 5	M 4	17	24.7	12	-	3	5.5	0.6	GN 311-30-M5-15-SW	90
GN 7062.1-42-B20-NI-A	42	B 20	15	M 5	M 4	17	24.7	12	-	3	5.5	0.6	GN 311-30-M5-15-SW	89
GN 7062.1-48-B22-NI-A	48	B 22	15	M 5	M 4	20	26.5	12	-	3	5.5	0	GN 311-45-M5-16-SW	121
GN 7062.1-48-B25-NI-A	48	B 25	15	M 5	M 4	20	26.5	12	-	3	5.5	0	GN 311-45-M5-16-SW	111
GN 7062.1-55-B28-NI-A	55	B 28	15	M 6	M 5	22.5	31.6	18	-	3	7	0.5	GN 311-45-M6-18-SW	144
GN 7062.1-55-B30-NI-A	55	B 30	15	M 6	M 5	22.5	31.6	18	-	3	7	0.5	GN 311-45-M6-18-SW	140
GN 7062.1-60-B32-NI-A	60	B 32	15	M 6	M 5	25	33.2	18	-	4	7	0.4	GN 311-45-M6-19-SW	184
GN 7062.1-60-B35-NI-A	60	B 35	15	M 6	M 5	25	33.2	18	-	4	7	0.4	GN 311-45-M6-19-SW	156
GN 7062.1-65-B40-NI-A	65	B 40	15	M 6	M 5	27.5	34.6	18	-	4	7	0.5	GN 311-45-M6-20-SW	175
GN 7062.1-30-B12-NI-B	30	B 12	11	M 4	M 3	-	-	8	9,7	2.1	-	0.7	GN 311-30-M4-12-SW	38
GN 7062.1-32-B14-NI-B	32	B 14	11	M 4	M 3	-	-	8	10,8	2.1	-	0.7	GN 311-30-M4-12-SW	42
GN 7062.1-36-B15-NI-B	36	B 15	13	M 5	M 4	-	-	10	11,7	2.1	-	1.4	GN 311-30-M5-13-SW	71
GN 7062.1-36-B16-NI-B	36	B 16	13	M 5	M 4	-	-	10	12	2.1	-	1.4	GN 311-30-M5-13-SW	63
GN 7062.1-42-B18-NI-B	42	B 18	15	M 5	M 4	-	-	12	13,7	3	-	0.6	GN 311-30-M5-15-SW	99
GN 7062.1-42-B20-NI-B	42	B 20	15	M 5	M 4	-	-	12	14,3	3	-	0.6	GN 311-30-M5-15-SW	94
GN 7062.1-48-B22-NI-B	48	B 22	15	M 5	M 4	-	-	12	16,4	3	-	0	GN 311-45-M5-16-SW	128
GN 7062.1-48-B25-NI-B	48	B 25	15	M 5	M 4	-	-	12	17,2	3	-	0	GN 311-45-M5-16-SW	116
GN 7062.1-55-B28-NI-B	55	B 28	15	M 6	M 5	-	-	18	18,7	3	-	0.5	GN 311-45-M6-18-SW	158
GN 7062.1-55-B30-NI-B	55	B 30	15	M 6	M 5	-	-	18	19,3	3	-	0.5	GN 311-45-M6-18-SW	148
GN 7062.1-60-B32-NI-B	60	B 32	15	M 6	M 5	-	-	18	21,2	4	-	0.4	GN 311-45-M6-19-SW	193
GN 7062.1-60-B35-NI-B	60	B 35	15	M 6	M 5	-	-	18	22	4	-	0.4	GN 311-45-M6-19-SW	164
GN 7062.1-65-B40-NI-B	65	B 40	15	M 6	M 5	-	-	18	24,7	4	-	0.5	GN 311-45-M6-20-SW	184

